



## SK-R800N 80GHz Radar Level Transmitter

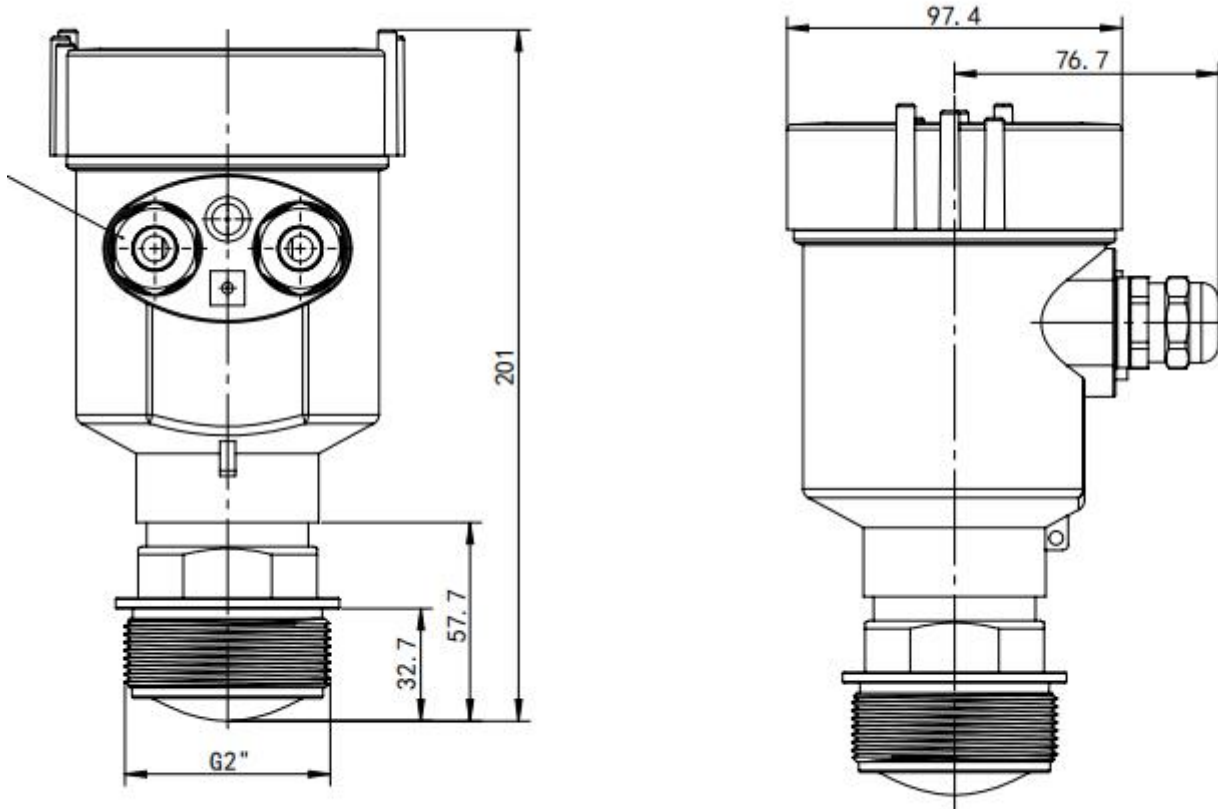
The SK-R800N is an 80GHz FMCW radar transmitter for continuous level measurement of Liquid, solids and open water application.

- \* High frequency: 80GHz, More Focus.
- \* Accuracy:  $\pm 2$  mm
- \* PTFE sealed antenna, not affected by temperature, condensate water.
- \* Small emitting angle:  $\pm 3.5^\circ$ .
- \* G'' thread connection, customized thread/flange.





Sizes:





## Specification

<b>Model</b>	SK-R800N
<b>Product Type</b>	FMCW Radar Level Transmitter
<b>Application</b>	*Simple liquid Measurement (exp: water, up to 30m) *Standard liquid measurement (exp: Corrosive chemical) *Bulk solids
<b>Frequency</b>	77GHz-81GHz
<b>Measurement Range</b>	10M 20M 30M
<b>Accuracy</b>	±2mm
<b>Beam Angle</b>	±3.5°
<b>Antenna Material</b>	SS 304/Sealed PTFE
<b>Process Connection</b>	Default G2 Thread; Thread and flange is customized
<b>Process Temperature</b>	-20°C to 70°C
<b>Process Pressure</b>	Normal atmospheric pressure
<b>Signal output</b>	4-20mA/RS485(Modbus - RTU)/Hart
<b>Power</b>	Two-wire DC 24V (22V~30V)
<b>Protection</b>	IP67
<b>Explosion-proof</b>	Exd II CT6Gb
<b>Sizes:</b>	96mmx200mm weight: 2kgs.

## SK-R800N Model Selection

<b>SK-R800</b>	<b>80GHz Radar Level Transmitter (Aluminum housing, with display)</b>							
<b>Code</b>	<b>Medium Type</b>							
N	Liquid/Solids							
<b>Code</b>	<b>Measuring Range(m)</b>							
0.2~30	10	20	30					
<b>Code</b>	<b>Connection</b>							
G	G Thread (G2)							
F	Flange							
<b>Code</b>	<b>Temperature</b>							
N	-20-70°C							
<b>Code</b>	<b>Cable entry</b>							
M/N	M20×1.5(F)/1/2NPT							
<b>Code</b>	<b>Electronics</b>							
T	Two-wire 4...20mA							
M	Modbus							
H	HART							
<b>Code</b>	<b>Protection</b>							
P	IP67							
<b>Code</b>	<b>Explosion-proof</b>							
E	Ex db ia IIC T6 Gb							
<b>SK-R800</b>	<b>N</b>	<b>10</b>	<b>G</b>	<b>N</b>	<b>M</b>	<b>TMH</b>	<b>P</b>	<b>E</b>